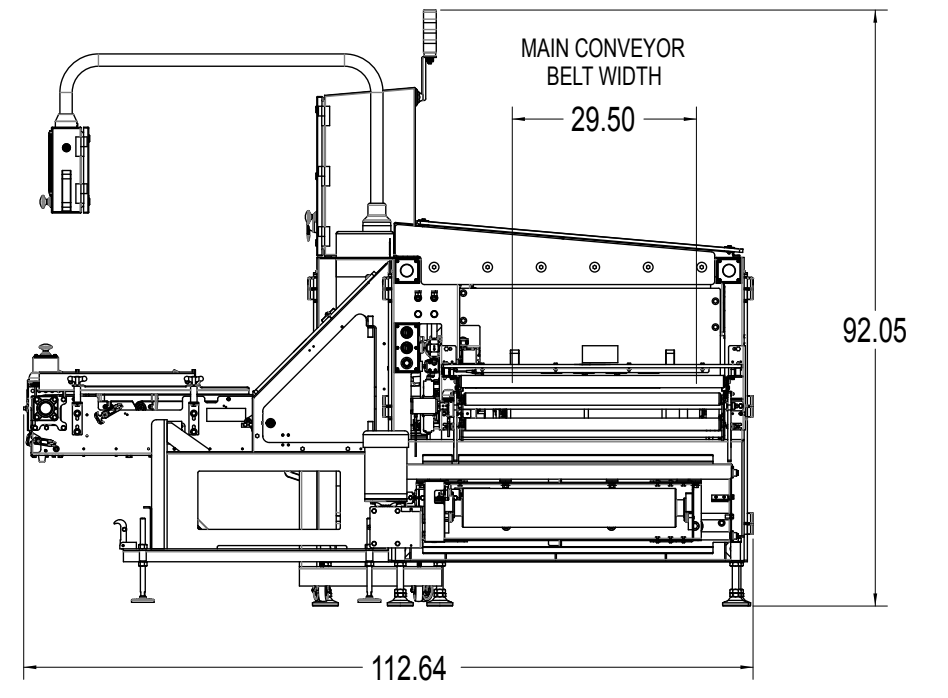
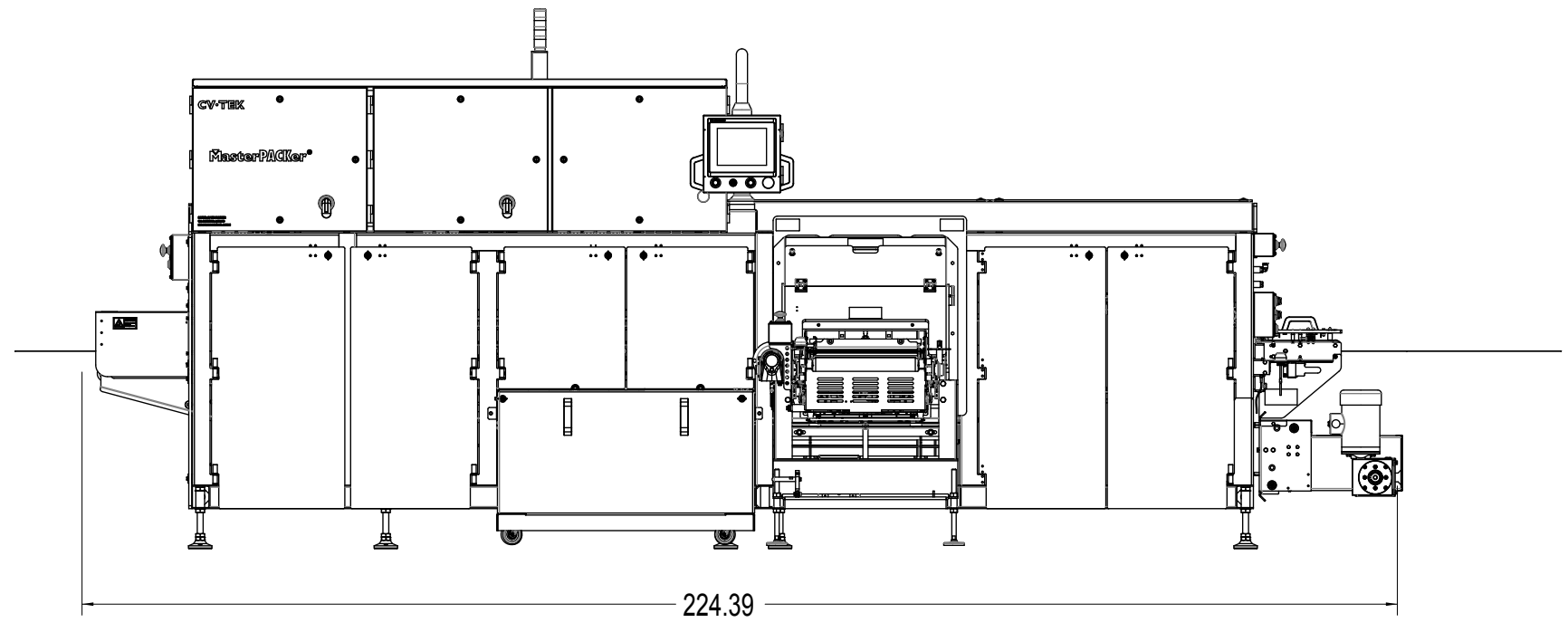
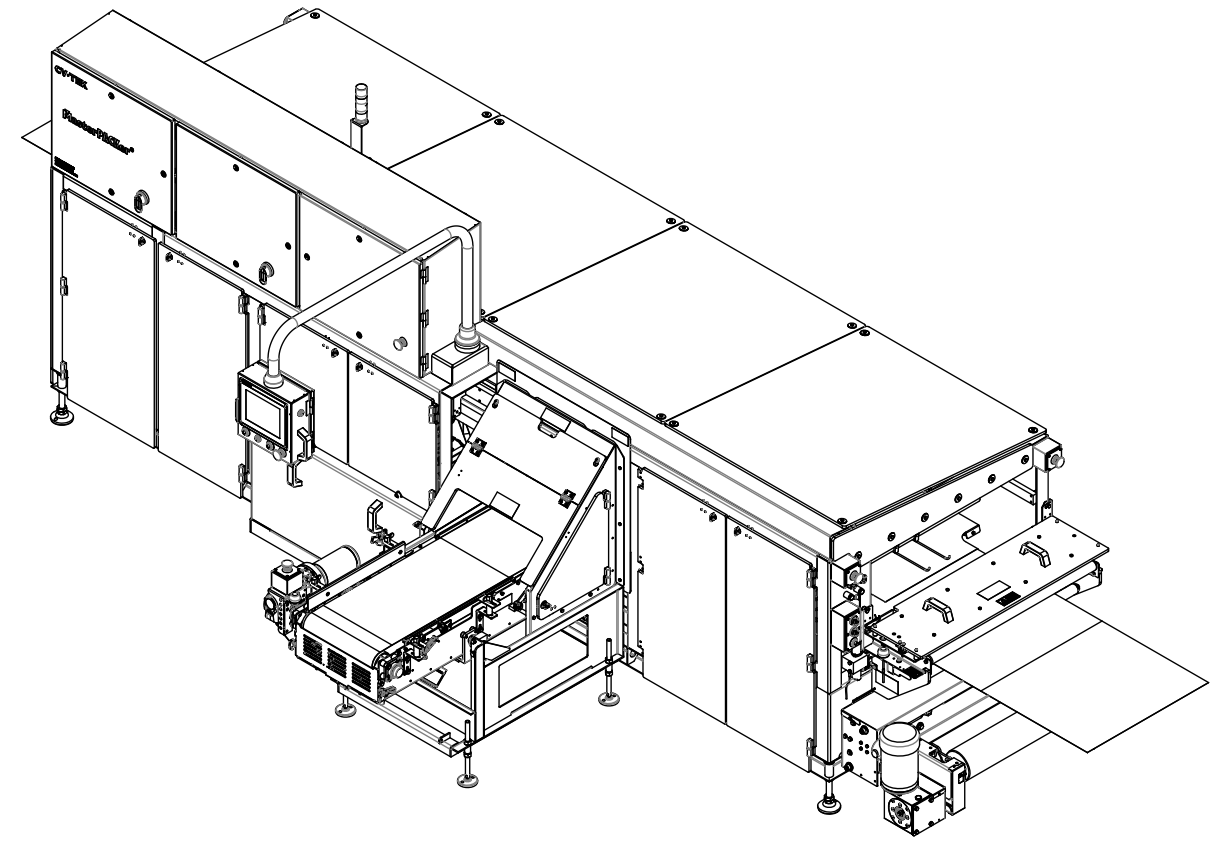


FOR MORE INFORMATION ON THE CV-TEK MASTERPACKER, SCAN THE QR CODE



MATERIAL: SEE BOM
 STOCK NO.: SEE BOM
 STOCK SIZE: SEE BOM
 MASS (LBS): 5255.28

FINISH: SEE BOM

UNLESS OTHERWISE SPECIFIED:
 1. BREAK ALL SHARP CORNERS
 2. TOLERANCES:
 FRACT = ± 1/64 XXXX ± .005
 .XX ± .015 XXXX ± .0005
 ANGLES = ± 0° 30'
 DRILLED HOLE: STANDARD S.A.E.

CV-TEK
 1675 TODD FARM DR., ELGIN, ILLINOIS 60123
 PHONE: 847.741.3500 FAX: 847.741.3569

PROPRIETARY AND CONFIDENTIAL
 THE INFORMATION CONTAINED IN THIS DRAWING IS THE SOLE PROPERTY OF CV-TEK, LLC. ANY REPRODUCTION IN PART OR AS A WHOLE WITHOUT THE WRITTEN PERMISSION OF CV-TEK, LLC IS PROHIBITED.

DRAWN: PV DATE: 9/1/2022 SCALE: 1:20 SHEET: 1 OF 1

MPX5 LAYOUT, STANDARD FRAME VIEW

DRAWING NO.: 131387C1 REV: A

131387C1 LAYOUT REV A