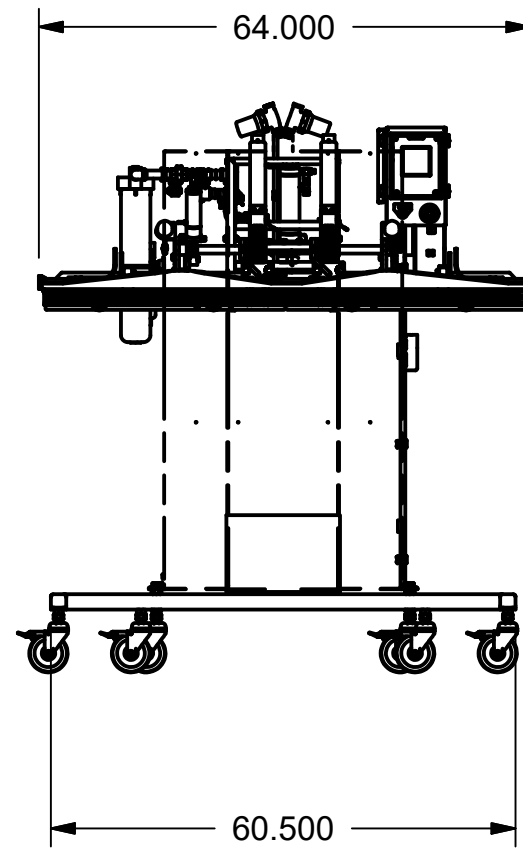
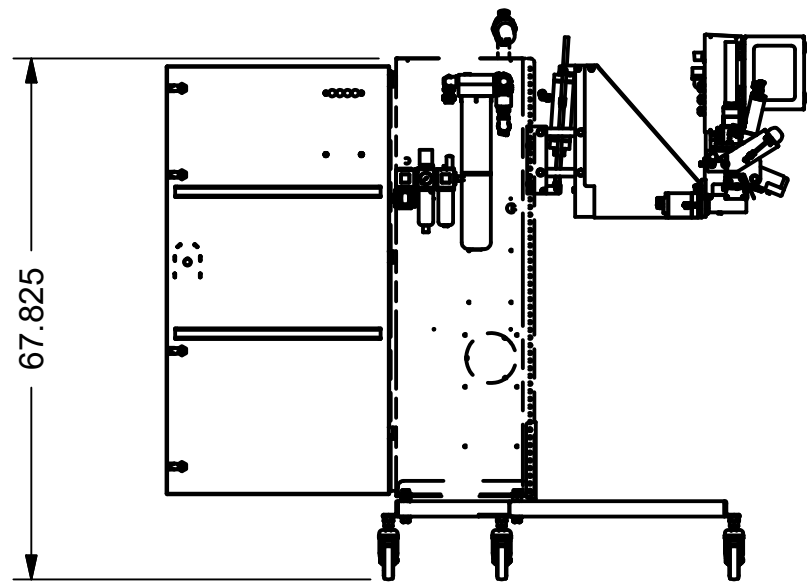
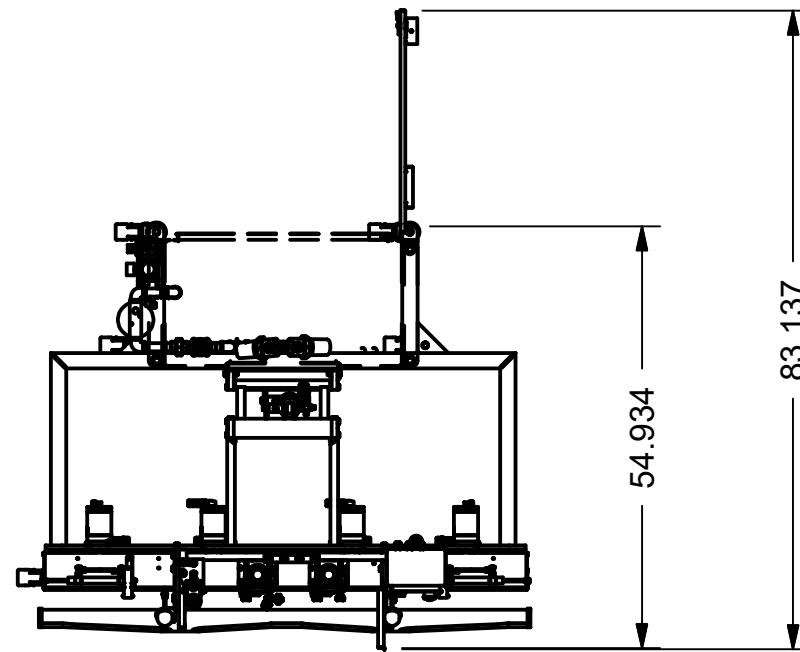
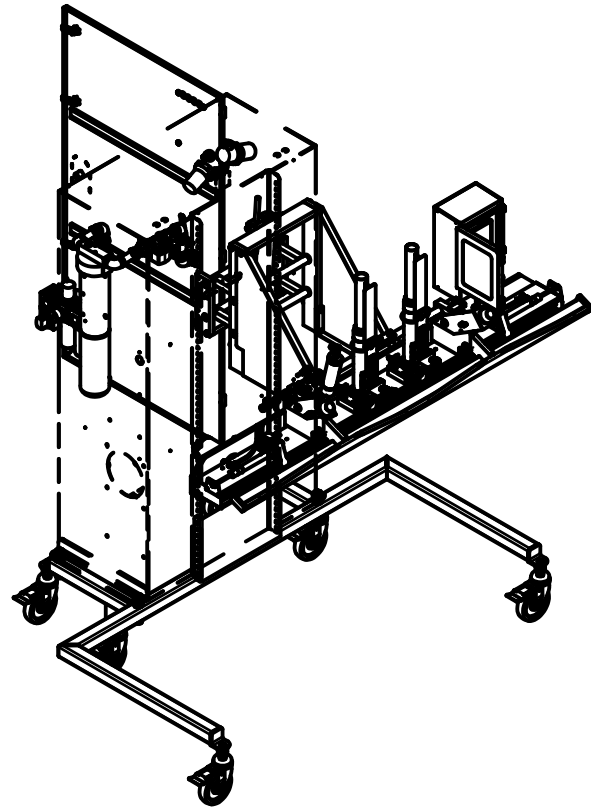


REVISIONS			
REV	DESCRIPTION	DATE	APPROVED
1	INITIAL RELEASE		N.B



<h1>CV•TEK</h1>	
THIS DRAWING IS THE PROPERTY OF CV•TEK, INC. AND IS TO BE CONSIDERED CONFIDENTIAL. USE OR REPRODUCTION WITHOUT THE EXPRESS PERMISSION OF THE COMPANY IS STRICTLY PROHIBITED.	APPROVED MFG: _____ APPROVED ENG: _____
DRAWN BY: rowdy	TITLE: _____
DWG NO: MK3 BBRA 62 inch	A
SCALE: N/A	DATE: _____ SHEET 1 OF 1

TOLERANCES: UNLESS OTHERWISE STATED:  
 FRACTIONAL = ± .015  
 .XX = ± .015  
 .XXX = ± .005  
 .XXXX = ± .0005  
 DRILLED HOLE: STANDARD S.A.E.