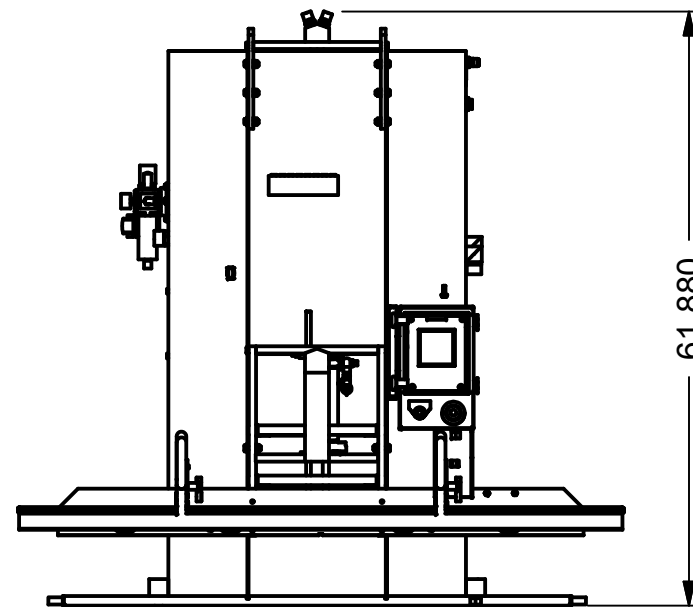
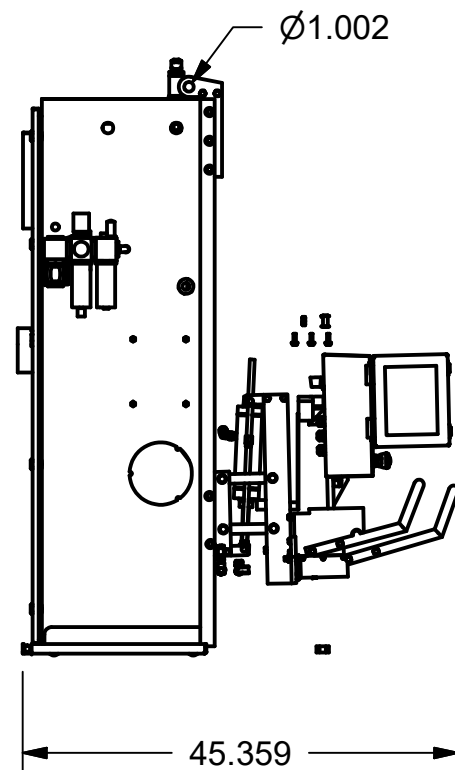
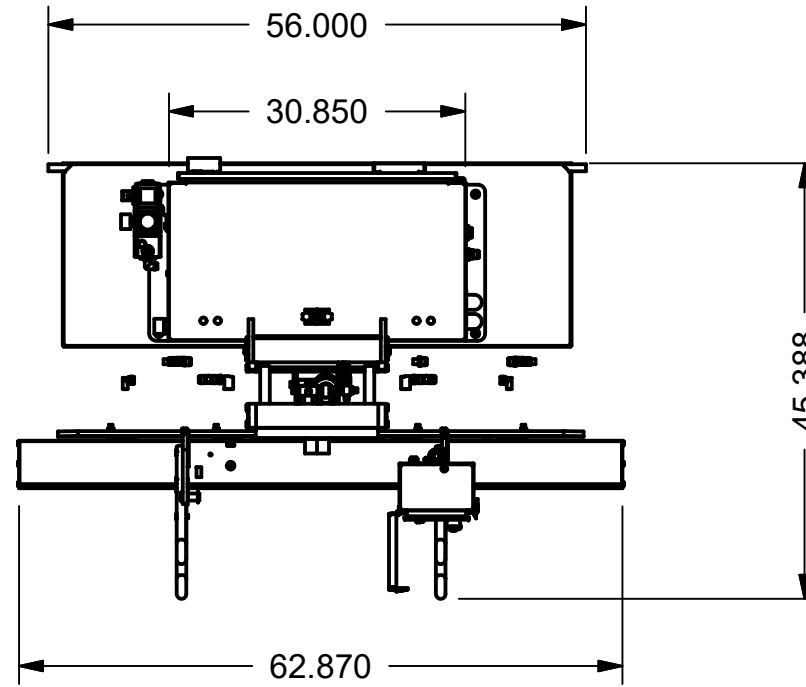
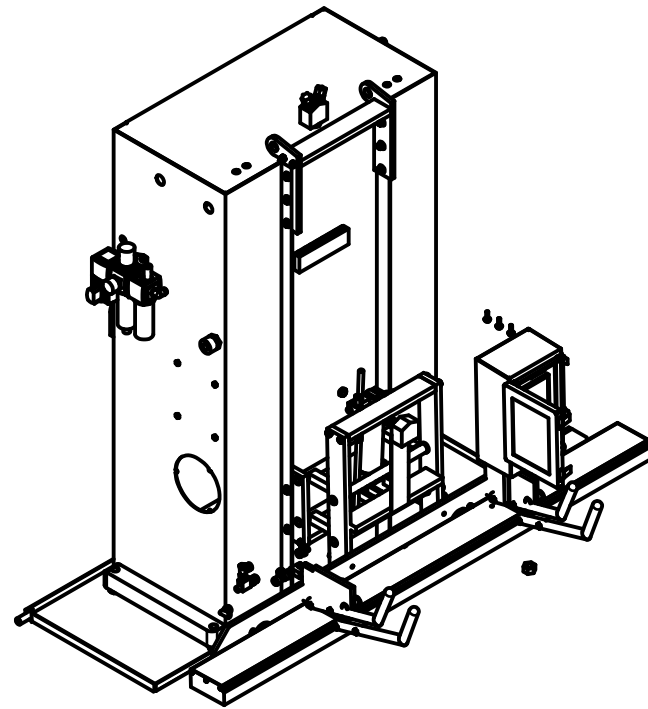


REVISIONS			
REV	DESCRIPTION	DATE	APPROVED
1	INITIAL RELEASE		N.B



CV•TEK

THIS DRAWING IS THE PROPERTY OF CV•TEK, INC. AND IS TO BE CONSIDERED CONFIDENTIAL. USE OR REPRODUCTION WITHOUT THE EXPRESS PERMISSION OF THE COMPANY IS STRICTLY PROHIBITED.

TOLERANCES: UNLESS OTHERWISE STATED:
 FRACTIONAL = ± .015
 .XX = ± .015
 .XXX = ± .005
 .XXXX = ± .0005
 DRILLED HOLE: STANDARD S.A.E.

APPROVED MFG: _____ APPROVED ENG: _____

DRAWN BY: TomJr

TITLE: _____

DWG NO: MK3 MACHINE

A

SCALE: N/A

DATE: _____

SHEET 1 OF 1