

V-45 VFFS Packaging System



Designed with purpose, the CV-TEK V45 features all stainless steel design allowing machine hose down without covering any components. From easy change features to user friendly controls and a highly efficient operating system, this rugged solution will maximize your uptime and increase packaging efficiencies.

The model V-45 combines durability and sleek design and versatility of a superior VFFS machine. The result is an intermittent motion vertical bagging solution that is designed to withstand harsh environments where high pressure washdown is required.

V-45 is perfect for these and other applications

**POULTRY | BEEF & PORK | FISH | PREPARED MEATS | CHEESE | NUTS
PRODUCE & FRESH-CUT | POWDERS | ORGANICS | INDUSTRIAL**

V-45 VFFS

The Corr-Vac® V-45 features a 1355 mm (53.5") wide, high-pressure sealing system engineered to deliver consistent, airtight seals—even through wrinkles, gussets, and heavy-duty films.

With integrated gas flush at the forming tube, the unit opens easily and can be 100% sanitized.



Electrical, pneumatics & vacuum pump in separate waterproof compartments

V-45 VFFS - Features:

- ▶ 100% stainless steel and FSMA, FDA, & USDA compliant, optional 3A dairy-grade
- ▶ Built-to IP69 specifications, ensuring IP67 compliance wash-down ready
- ▶ Tool-less forming horn
- ▶ Allen-Bradley Controls
- ▶ Recipe-based color touchscreen
- ▶ Robust, self-aligning stainless steel jaws
- ▶ Servo-driven vacuum belts with integrated brushes

V-45 VFFS - Accessories:

- ▶ Gas flush for MAP applications
- ▶ Roll stock cart
- ▶ Film printer
- ▶ Infeed/discharge conveyors
- ▶ 3" unwind shafts for up to 18" film rolls
- ▶ Dehumidifier in control box
- ▶ Poly-resistive seal bars

SPECIFICATIONS

Bag styles: Pillow & Gusset

Speeds: Up to 45/minute

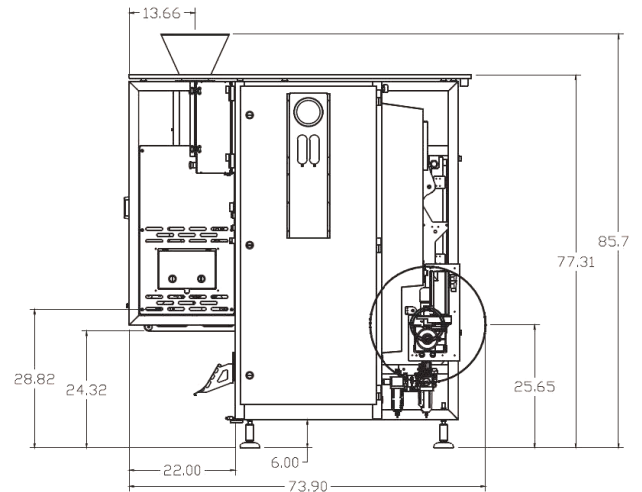
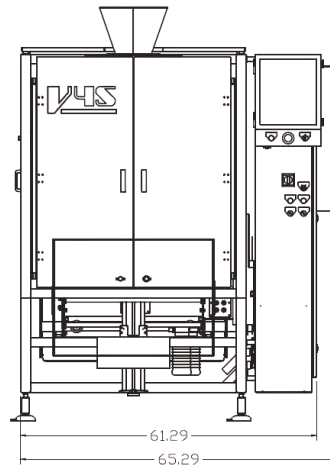
Bag widths: Up to 13"

Electrical:

440-480V/30A/3PH

Air: 80 psi

CO² Capability: 10 cfm at 100 psig (if required)



CV-TEK PRODUCTS



MARKIII



BULK-BIN



MHSP



MAP-VAC

